

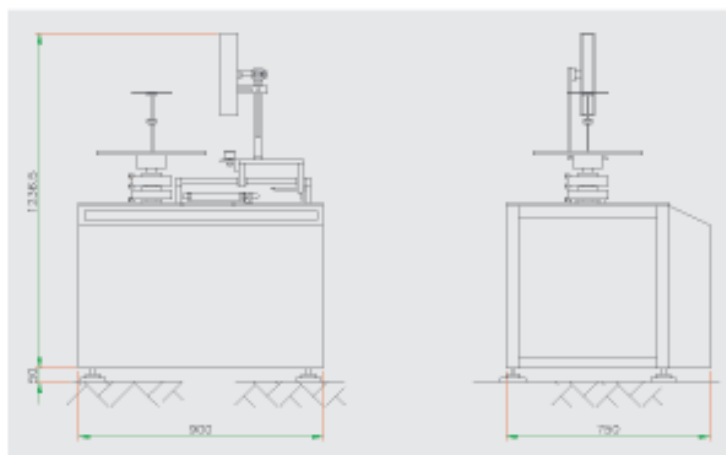


- PRACTICAL USE FOR CRATE, PAIL AND OVAL OBJECTS
- TREAT VARIOUS SIZE OF OBJECTS WITHOUT ANY TOOLINGS
- LESS MAINTENANCE, MORE DURABILITY

THE WORLD'S LEADING SCREEN PRINTING MACHINERY

TECHNICAL DATA

POWER	0.4 kW
SIZE OF OBJECTS	
Max. Height (all objects)	350 mm
Min. Height (all objects)	230 mm
PAIL AND OVAL SHAPE	
Diameter (Max.)	400 mm
Diameter (Min.)	140 mm
CRATE SHAPE	
Diagonal distance (Max.)	600 mm
Diagonal distance (Min.)	400 mm
AIR CONSUMPTION	7 to 12 Nm ³ /h
OUTPUT	up to 400/h (depending on object)
GAS CONSUMPTION	0.4 to 1 Nm ³ /h (LPG, natural gas, butane, propane, town gas)



The above specifications are only approximate and are not constructural.
Specifications may change without notice.

For further information, please contact us

DUBUIT
far east

11/34 Moo 6, Klong 3, Klong Luang,
Pathumthani 12120 THAILAND
Tel : (662) 524-0929 Fax : (662) 524-0828
<http://www.dubuitfareast.com>
E-mail : sales@dubuitfareast.com

Agents :